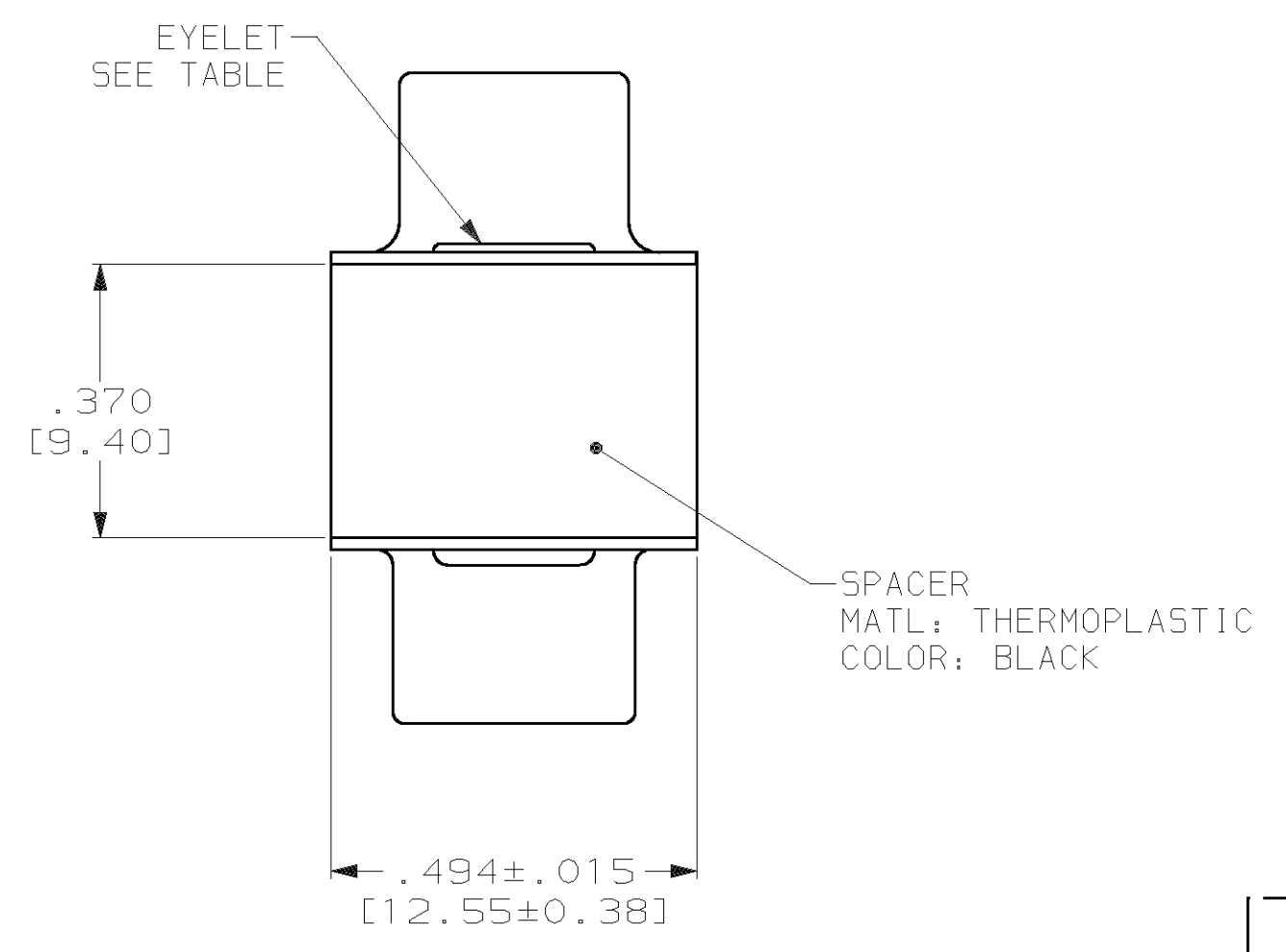
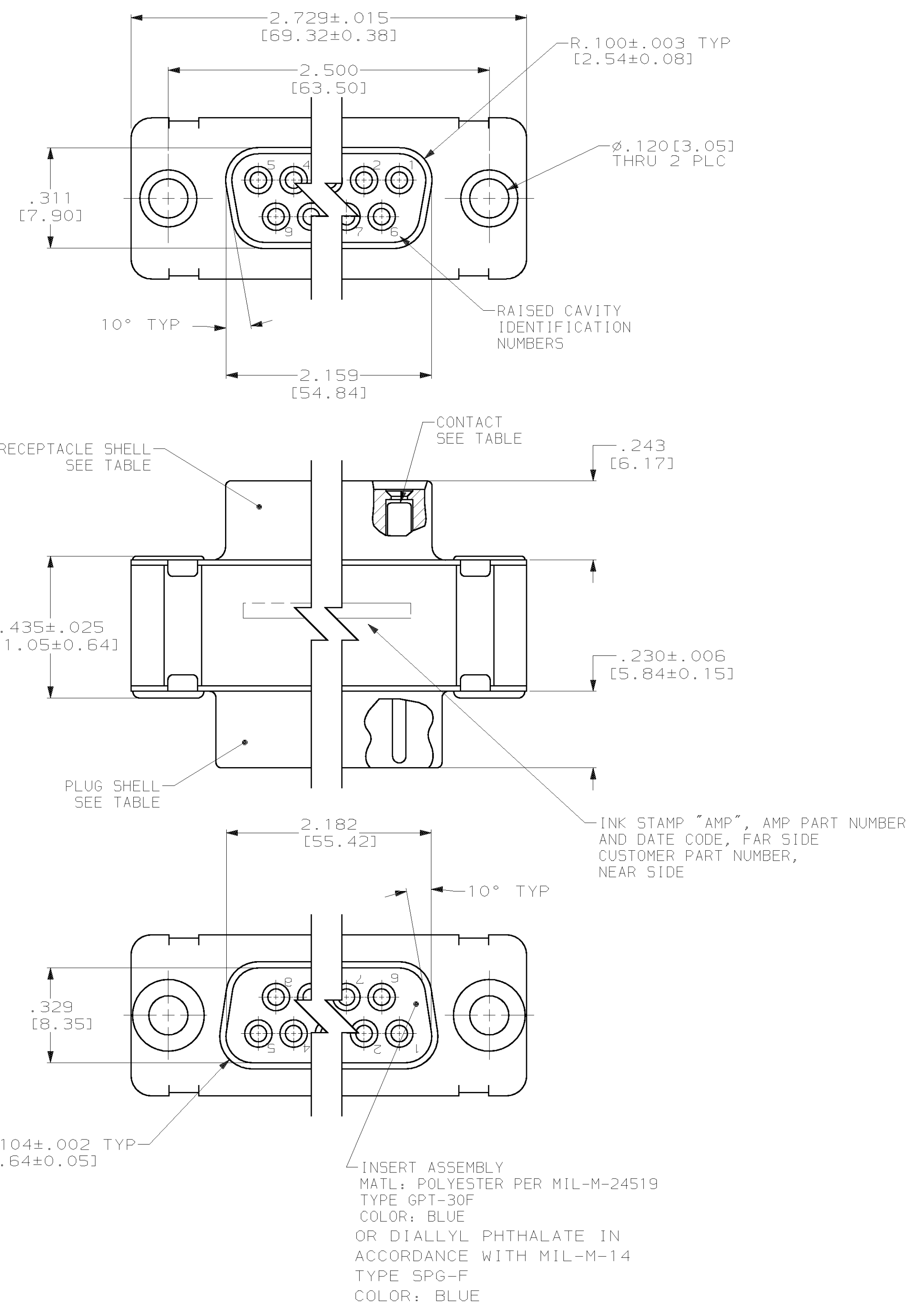
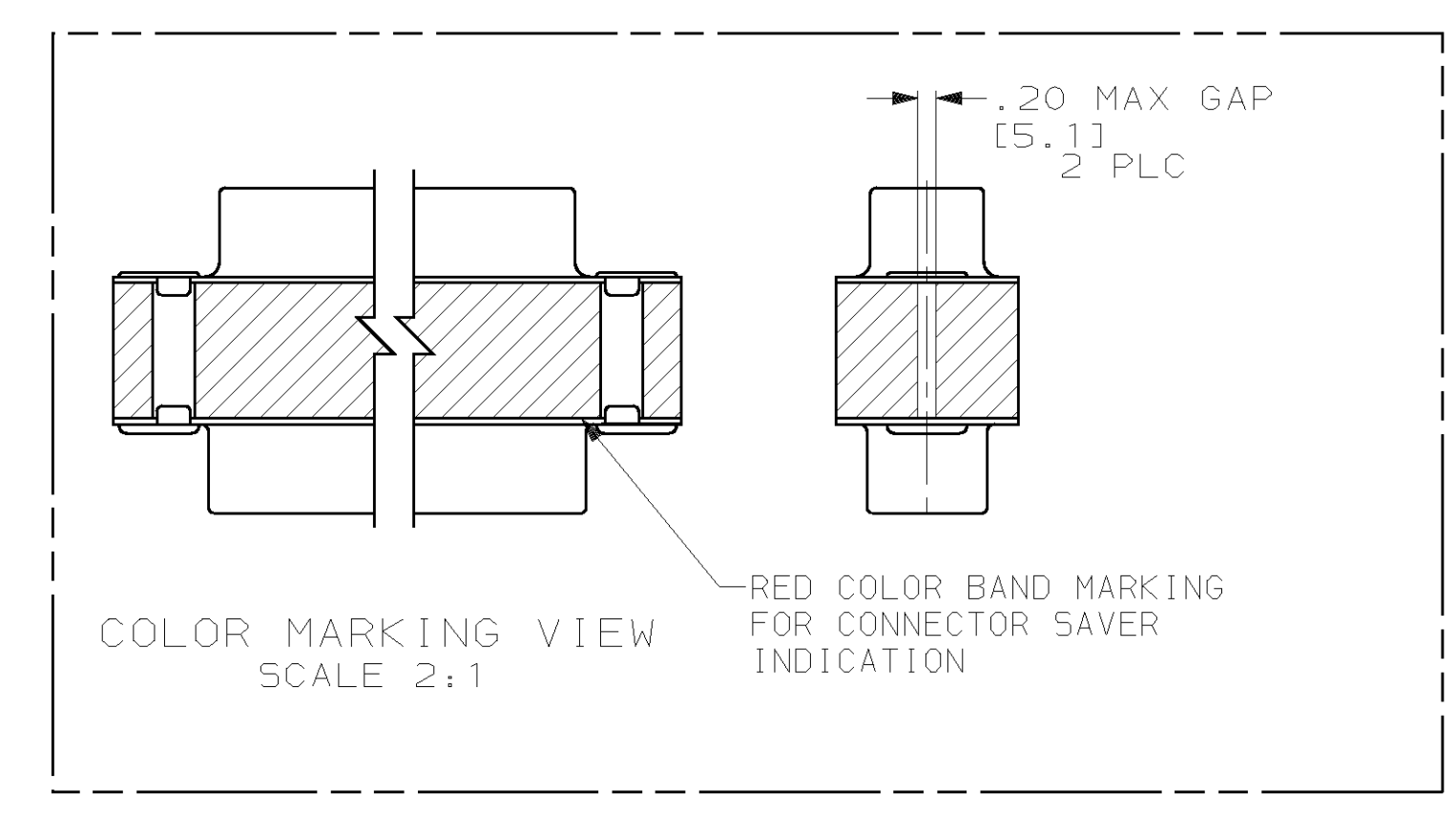


LOC		DIST		REVISIONS			
DF	DO	TR	LYR	DESCRIPTION	DATE	DMN	APVD
		C		REV PER 0630-320-01	5-02	CT	DM
		D		REV PER 0630-0619-02	7-03	JMK	LO



1. CONTACTS INCLUDED IN ASSEMBLY.
- 2 CONTACT
 BODY MATL: BERYLLIUM COPPER PER ASTM-B-197.
 BODY FINISH: PLATED GOLD, .000050 MIN THK PER MIL-G-45204 OVER NICKEL, .000050 MIN THK PER QQ-N-290.
 HOOD MATL: STAINLESS STEEL PER ASTM-A-167.
 HOOD FINISH: PASSIVATED PER ASTM-A-380
- 3 MATL: BRASS PER ASTM-B-36.
- 4 FINISH: PLATED GOLD, .000050 MIN THK PER MIL-G-45204 OVER COPPER, .000100 MIN THK PER MIL-C-14550.



3/4	3/4	2	4U884 SOCN R10002677-0004	1218306-2
3/4	3/4	2	(1J02-004)	1218306-1
EYELET	SHELLS	CONTACT	CUSTOMER P/N	PART NO.

THIS DRAWING IS A CONTROLLED DOCUMENT.		I. THOMPSON 19AU098		AMP Incorporated Harrisburg, PA 17105-3608	
DIMENSIONS: IN (mm)		TOLERANCES UNLESS OTHERWISE SPECIFIED:		NAME: AMP	
0 PLC	±.0010	1 PLC	±.0010	PRODUCT SPEC	
2 PLC	±.0010	3 PLC	±.0010	APPLICATION SPEC	
4 PLC	±.0010	ANGLES	±.0010	SIZE: A1	
MATERIAL		FINISH		WEIGHT	
				CUSTOMER DRAWING	
				SCALE: 4:1	
				SHEET 1 OF 1	
				REV D	